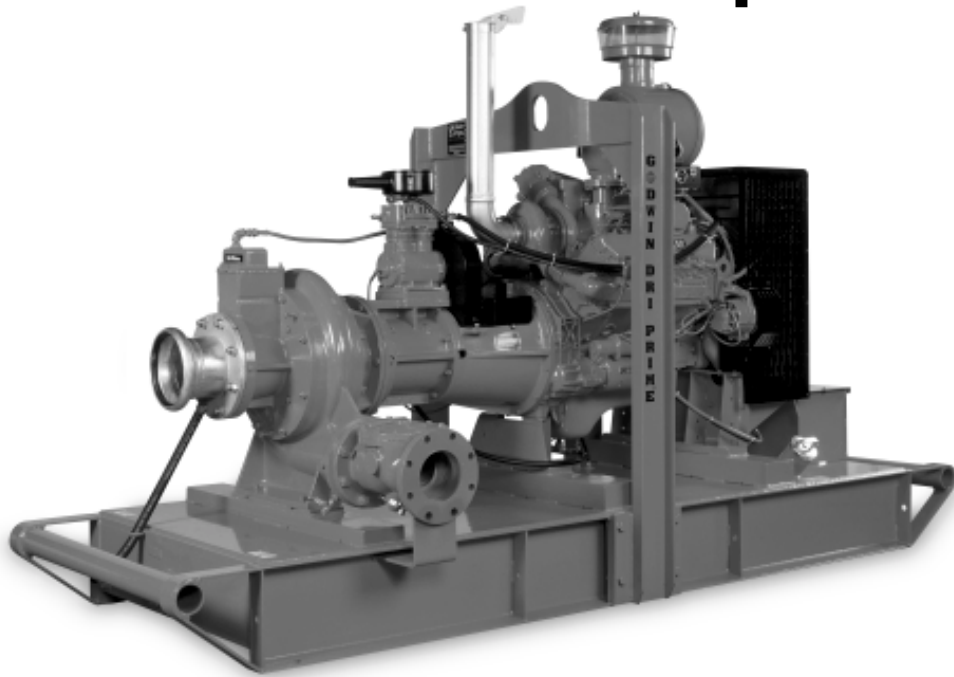


HL6M Dri-Prime® Pumps

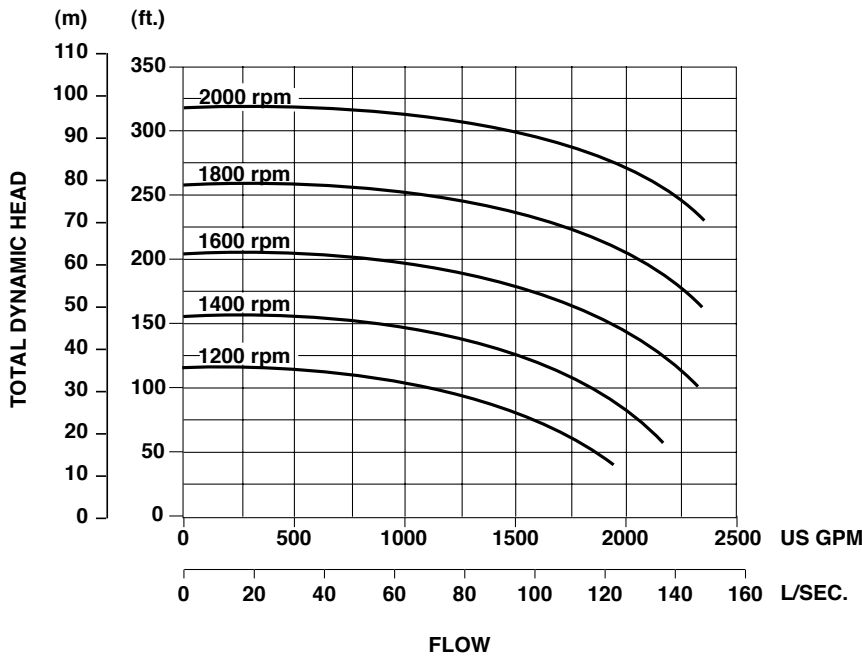


The Godwin Dri-Prime 8" x 6" (200mm x 150mm) HL6M automatic priming centrifugal pump is a high pressure discharge pump with maximum flows of 2300 gallons per minute (145 l/sec.) and discharge heads to 320 feet (97.5M) or 135 psi (9.3 BAR). At home in a wide variety of applications, the HL6M has been used in temporary fire service, quarry and mine dewatering, and as a temporary replacement for permanently installed transfer pumps. Like all Godwin Dri-Prime pumps, the HL6M can prime and reprime automatically from dry to 28 feet (8.5M) of suction lift.

Features

- Fully automatic priming from dry to 28 feet (8.5M) of suction lift. Maximum heads to 320 feet (97.5M), maximum flows to 2300 gpm (145 l/sec.).
- Pumpend available in cast iron, stainless steel and other hardened materials.
- Extensive application flexibility — will handle sludges and liquids with solids up to 1-1/2" (38mm) in diameter.
- Continuously operated "Godwin" venturi air ejector priming device featuring belt driven air compressor requiring no form of periodic adjustment or control.
- Solids handling flapper-type Non Return Valve with renewable flexible rubber seat.
- Double, high pressure mechanical seal with high abrasion resistant silicon carbide interfaces. Oil bath immersion for dry running.
- Compact unit mounted on a heavy-duty skid base or two-wheeled highway trailer both incorporating integral overnight running fuel tank and lifting frame.
- Simple maintenance — normally limited to checking engine and seal cavity oil levels.
- Standard engine — Caterpillar 3126. Available with a variety of engines including John Deere, Cummins and Deutz. Electric motor driven units are also available.
- A variety of silenced units are available

HL6M Performance Curve



HL6M Performance Table

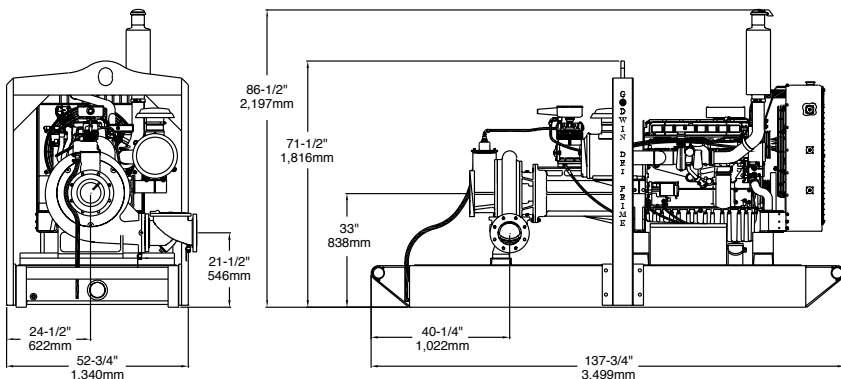
Diesel Set: Caterpillar 3126, 214 hp (160 kw) @ 2000 rpm
Impeller Diameter: 15-3/4 inches (400 mm)

Total Suction Head — Feet	Total Delivery Head — Feet				
	200	225	250	275	300
	Output — GPM				
15	2415	2310	2200	1898	1485
20	1903	1846	1710	1500	1155
25	1490	1360	1275	1155	905

Performance data listed in table and curves based on water tests at sea level and 68° F (20° C). Larger diameter pipes may be required for maximum flows.

Dimensions

HL6M — Caterpillar 3126, Skid Base
 Weight: 7,000 lbs. (2,175 kg.)



Specifications

- Maximum Operating Speed:** 2000 rpm
- Maximum Operating Temperature:** +212°F (100°C)
- Maximum Working Pressure:** 140 psi (9.7 BAR)
- Maximum Suction Pressure:** 88 psi (6.1 BAR)
- Maximum Casing Pressure:** 210 psi (14.5 BAR)
- Fuel Tank Capacity:** 150 gal. (568 liter), Trailer; 175 gal. (662 liter), Skid
- Fuel Consumption:** 11.0 gph (41.6 lph), max.
- Pipe Connections:** Suction: 8" (200mm) ASA 150#; Discharge: 6" (150mm) ASA 150#
- Solids Handling:** 1-1/2" (38mm) diameter

Materials

- Pump Casing, Suction Cover, Separation Tank and Non Return Valve Casing:** Close-Grained Cast Iron
- Impeller:** Cast Chromium Steel hardened to minimum 341 HB Brinell
- Shaft:** 1-1/2% Nickel/Chromium Steel
- Wearplates:** 25% Chromium Alloy Cast Iron hardened to minimum 600HB Brinell
- Non Return Valve Flapper:** High Nitrile Rubber
- Mechanical Seal Faces:** Solid Silicon Carbide



Aquatech has two facets to help you with your site specific needs.

For all your Rental and Sales needs call

Aquatech Pump and Power

Phone: 905-907-7852

Fax: 905-907-1701

For full "turn-key" contracting solutions call

Aquatech Dewatering Company

Phone: 905-907-1700

Fax: 905-907-1701

Email us: info@aquatd.com

69 Connie Crescent Concord, ON L4K 1L3

www.aquatd.ca

Dri-Prime® is a registered trademark of Godwin Pumps of America, Inc. Specifications and illustrations are subject to revision without notice. © Copyright 2002 Godwin Pumps of America, Inc. All rights reserved.